



Tel: +0086-512-50128299

Fax: +0086-512-50125799

Email: sales@peacemounts.com

Office Add: Room.8,No.35,Lianbang International Business Garden,Yushan Town,Kunshan City,Jiangsu China



产品目录

CATALOGUE

PEACEMOUNTS ELECTRONICS CO.LTD.



PEACEMOUNTS

昆山泰如电子有限公司





Peacemounts Electronics Co.,Ltd. located in the Yangtze River Delta economic zone, we are a senior enterprise of audio-visual equipments design, manufacture and sale. By constant innovation, we designed large quantity of high quality products to meet times and market demands, these are benefit from the unique industry advantages, logistics advantages and multiple quality resources, and we got more distinguished reputations from both inside and outside, our products are sold throughout the nationwide and overseas.

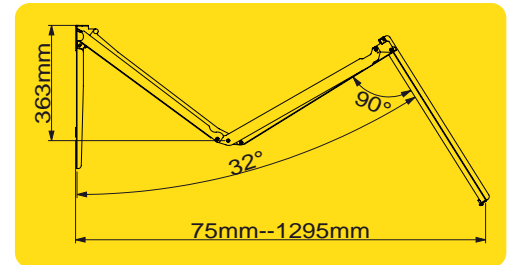
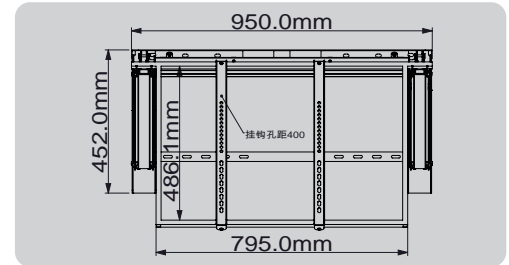
Video Wall Mount	1
Spring TV Mount	4
Articulating TV Wall Mounts	7
TV Ceiling Mounts	14
TV Stand	16
Tablet Stands and Enclosure	20
Mobile White Board	25
Projector Mounts	26
Tilt TV Wall Mounts	27



BFQ32, Mounted on the wall above your headboard these TV mounts extend your TV out over your bed to the perfect angle and distance for comfortable viewing.



BFQ32

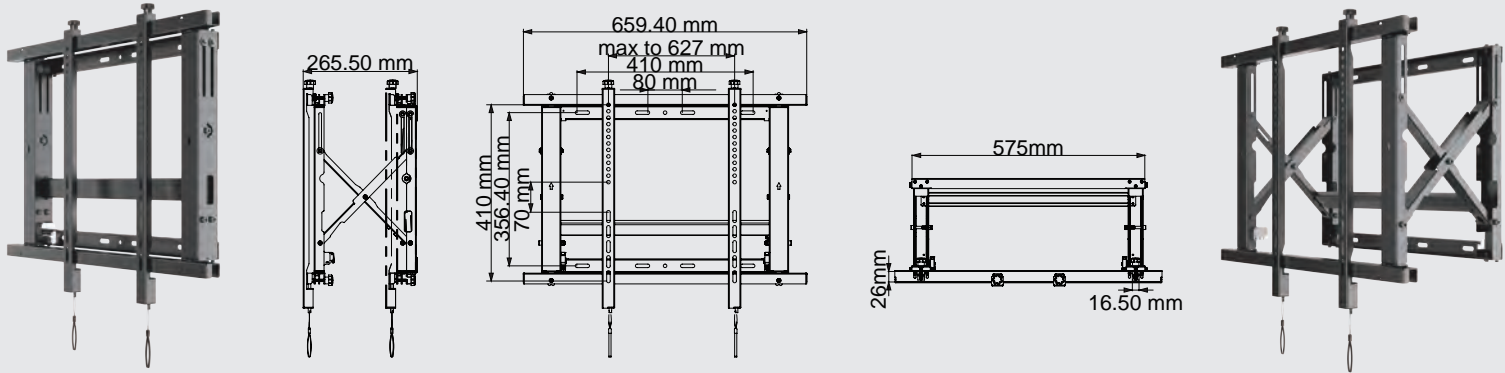




2017

NEW PRODUCT

Designed to make video wall installations as quick and simple as possible, this modular video wall mount can be used to create unlimited video wall configurations in both landscape and portrait format. The MV-70 features a pop-in, pop-out system which enables quick and easy access to the rear of mounted screens for servicing and maintenance and 8 point micro-adjustment, making accurate screen alignment quick and easy.



MV-70

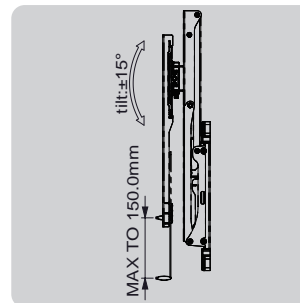
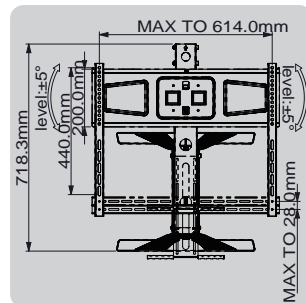
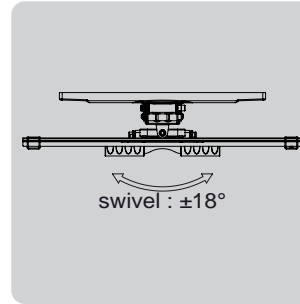
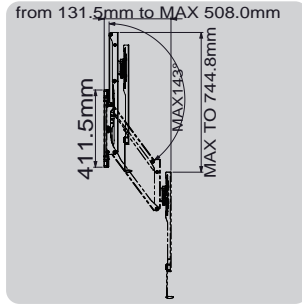


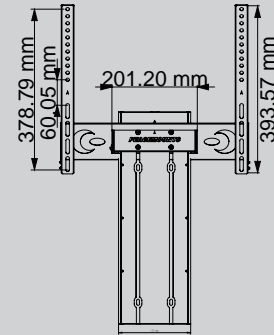
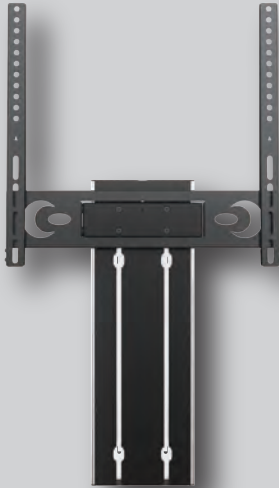


MAM-600



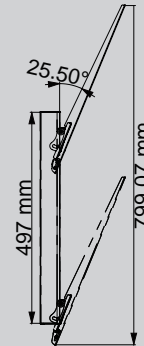
This MAM-600 Gas spring not only offers tilt and swivel but also allows you to easily pull the TV down off the wall and position it in front of the fireplace at eye level. And you can just as easily push it right back up. That's something you don't get from other mounts.

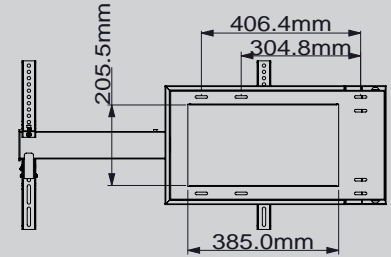
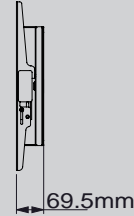
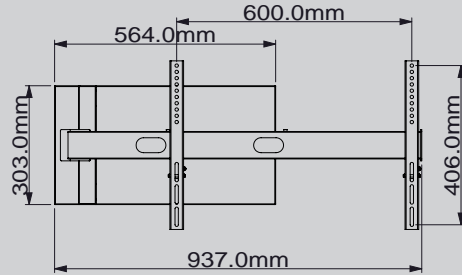
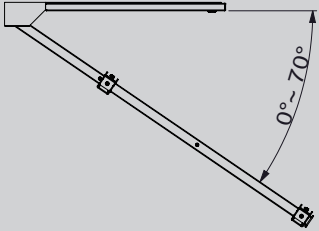




LTWM60

LTWM60 Aluminum 40-60 inch lift up and down freely profile tv wall mount





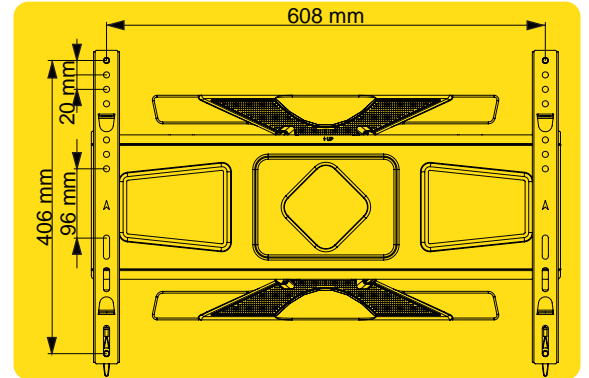
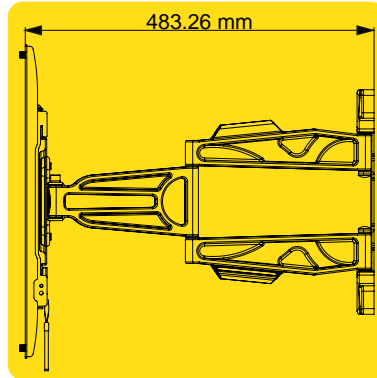
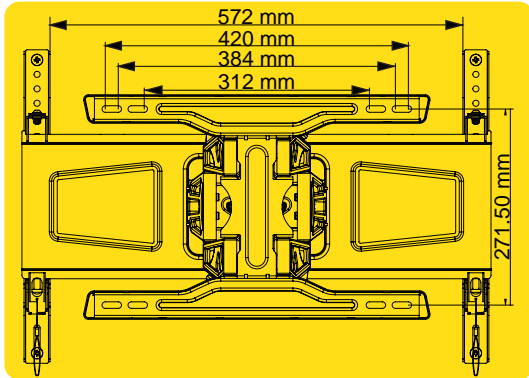
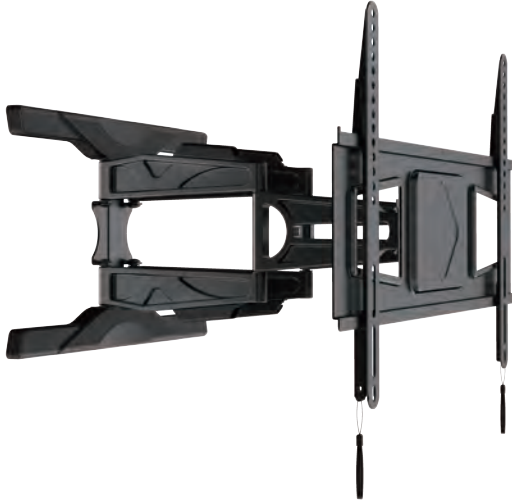
SW600

VESA 400 x 600mm The Entegrade Swingout Arm Display Mount provides streamlined design and accessibility for hospitality environments, as well as single or double video conferencing centers. The mount features front access for serviceability without the removal of the display, as well as cable management and a key locked cover plate.

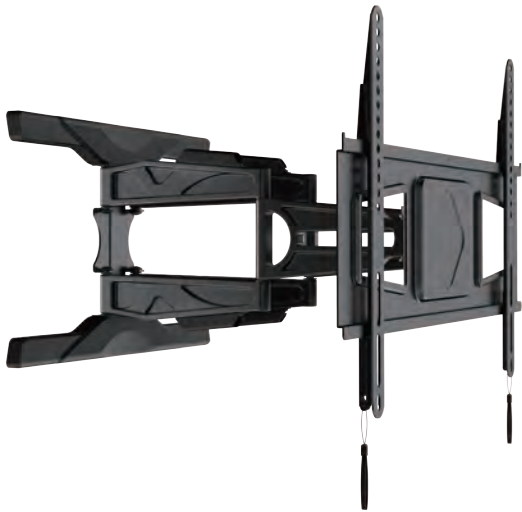


PMD600QP

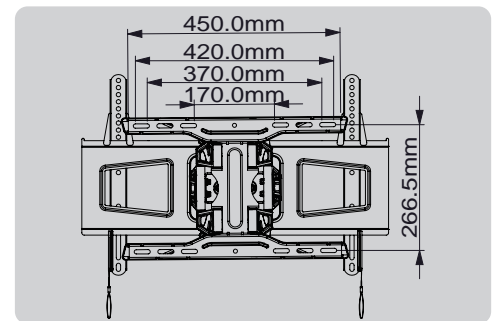
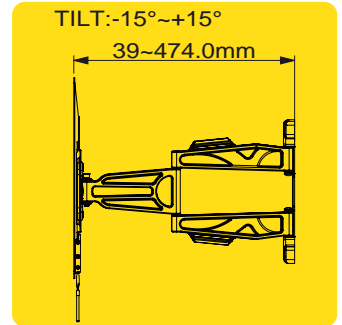
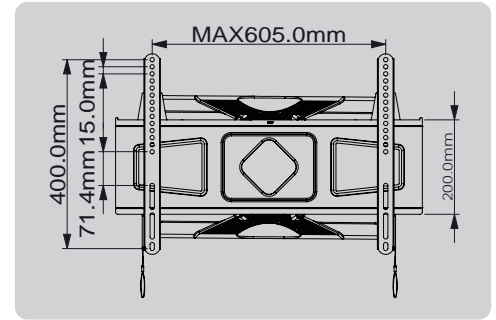
PMD600QP Aluminum 32-88 inch Full-motion Curved TV Wall Mount

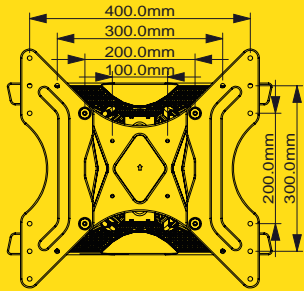




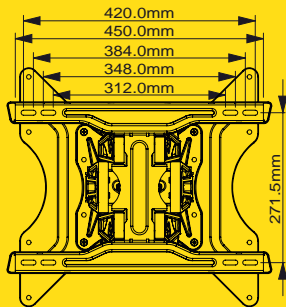
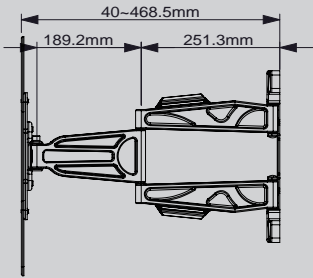


PMD600





TILT: -15°~+15°

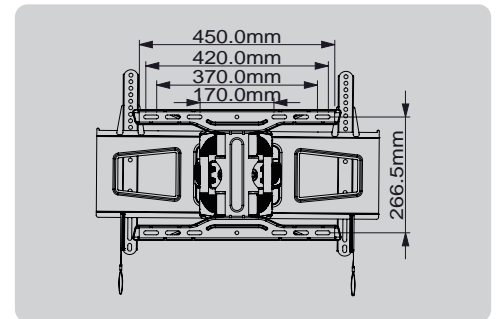
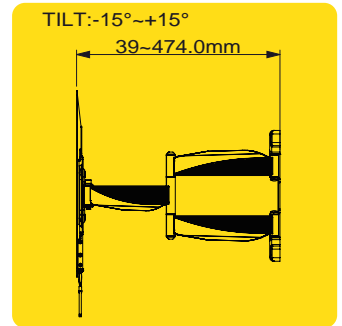
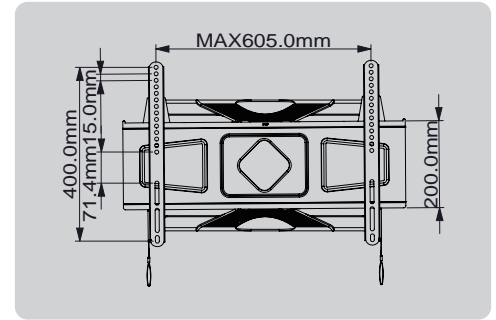


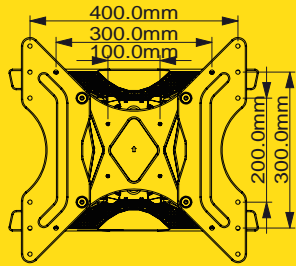
PMD400



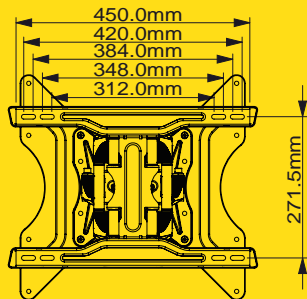
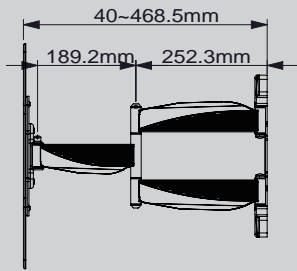


SPD600





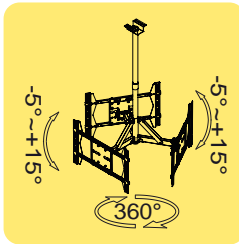
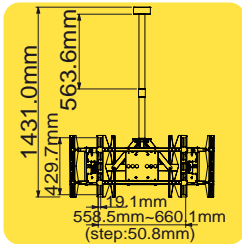
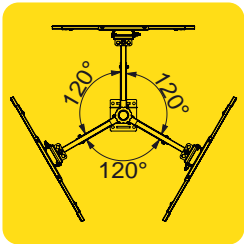
TILT: -15°~+15°



SPD400



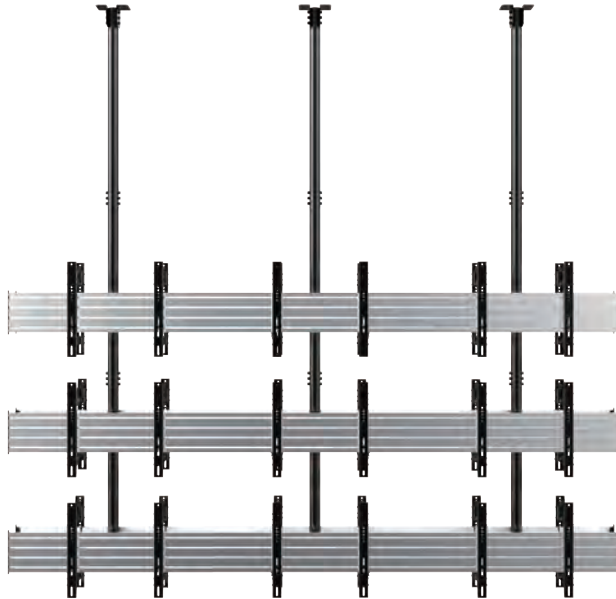
PRT63 Three screens tv ceiling mount is for 32"-63" TV.
It allows you to adjust your display in a wide variety of angles.



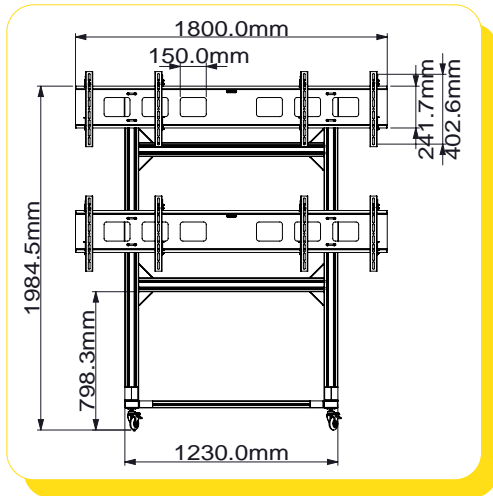
PRT63



NEW PRODUCT
2017



Mobile video stand provides you a better view for demonstrating content, supporting 2、4、6、9 screens, Each one can support up to 55" TV, with 50kg load capacity.



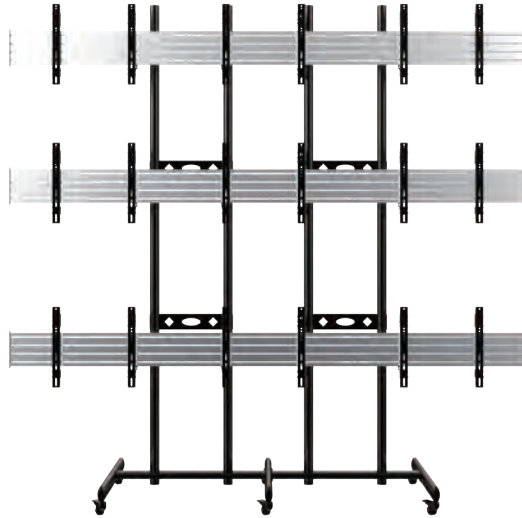
ML-01

(Dual Screens)



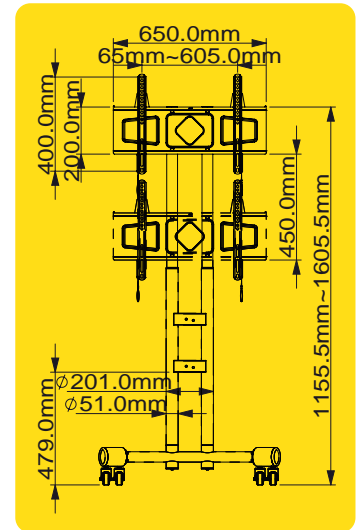
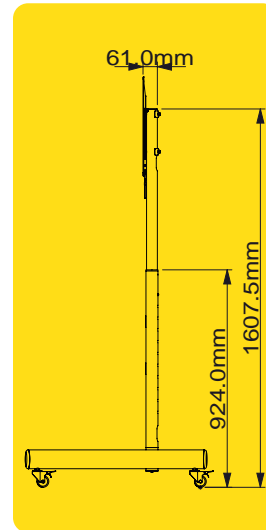
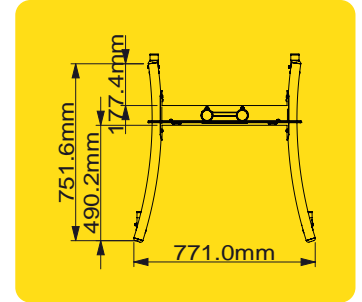
ML-02

(Four Screens)



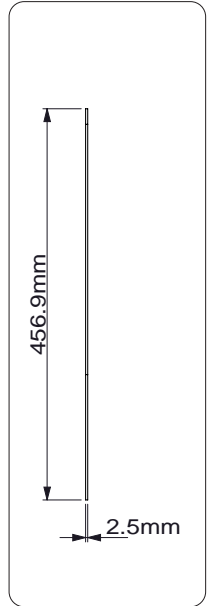
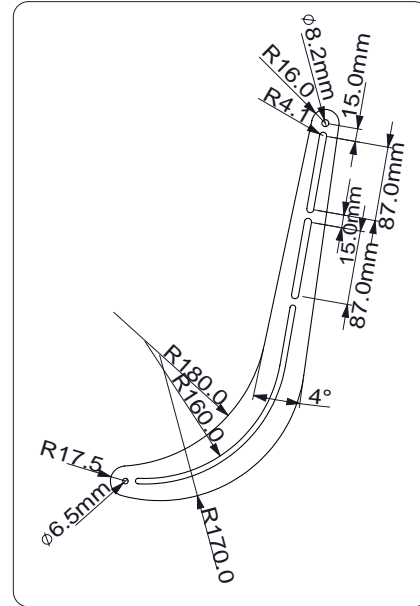


Mobile tv cart for outdoor advertisements and activities with convenient movement; Due to the firm structure, attractive appearance and convenient movement; it's widely used in the hospital, exhibition hall, conference room and other public places.



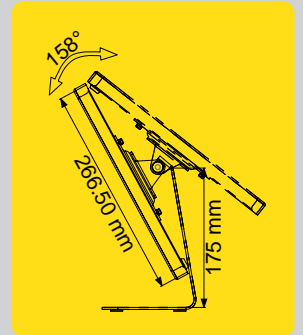
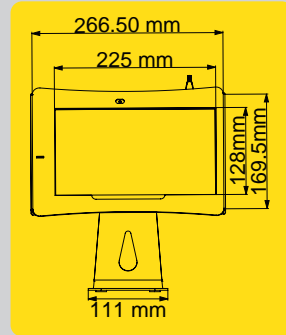
SB-01

Universal soundbar bracket . It can be easily attached to TV wall brackets or directly to the TVs on stands, instead of mounting to wall.





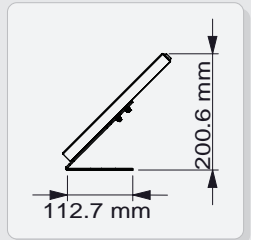
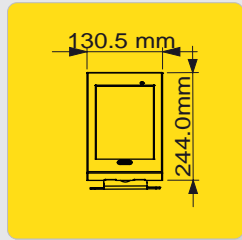
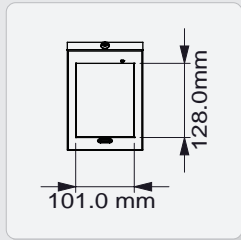
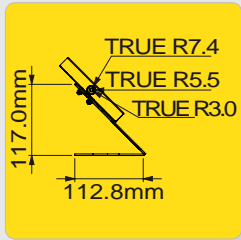
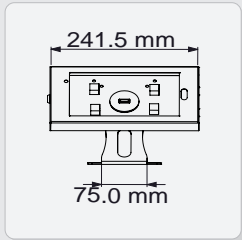
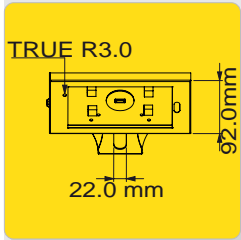
FRS-1



Tablet PC Stands with 45 degrees tilt and 360 degrees rotation function.
 The cashier can easily turn the this tablet freely show to the customer.
 This product is 7 inch tablet enclosure together with tablet stand.



SSE-1

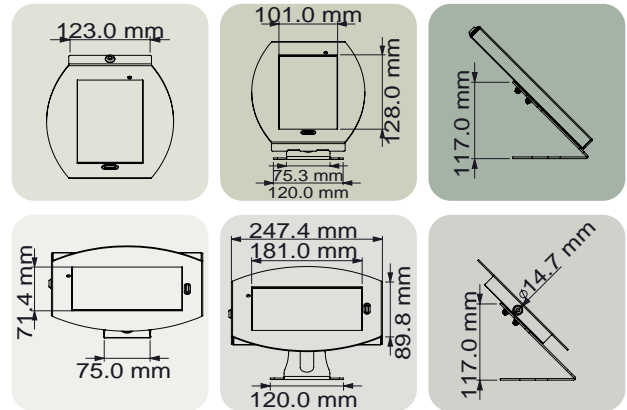




VESA MOUNTING 7.9" SAMSUNG SCREEN TABLET PC METAL LOCKABLE ENCLOSURE / JACKET enclosure, screen tablet locking enclosure VESA mounting jacket. Our kiosk enclosure can not only help offer low cost solution to traditional PC-based kiosks but also utilize the powerful allure of the SAMSUNG—Strengthen Your Presence!



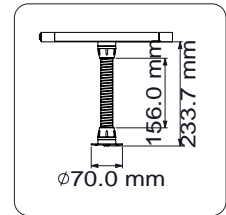
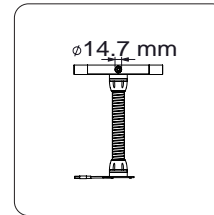
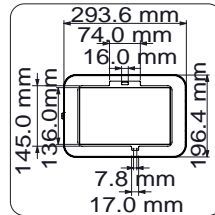
RSD-01



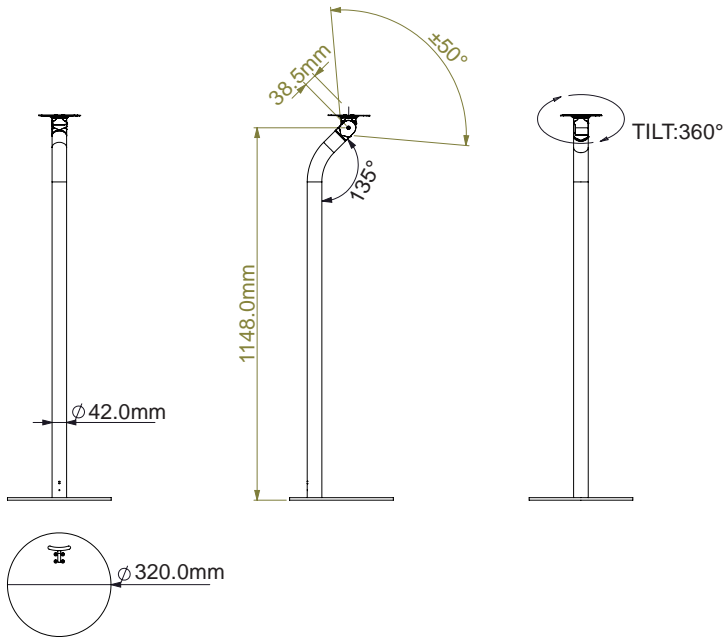
TEG-1



Flexible adjustment, all-dimensional angle of view without blind Angle;
 Equipped variety of installation scheme;
 With cable management, make it clean and anti-theft;
 Customized is available for the size and color of the tablet case.

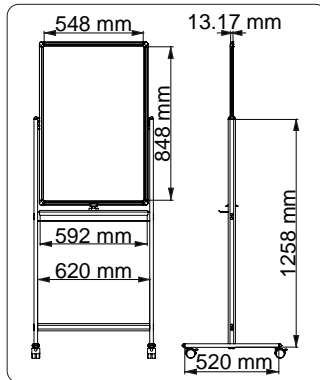


Customizable specification;
Equipped with humanized Angle adjustment solution;
Equipped with anti theft solution;
Tube split easy taking solution;
for selection.

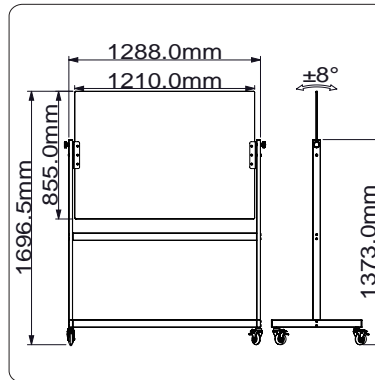


White board series include lacquered steel whiteboards, porcelain whiteboards and glass boards. We can provide 400x600 mm to 1200x2400 mm, with other special size custom acceptable.

WB11

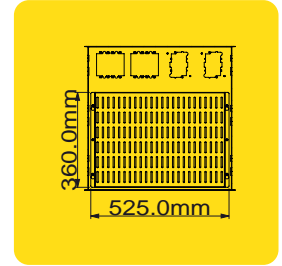
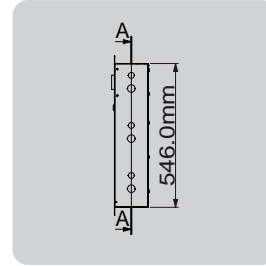
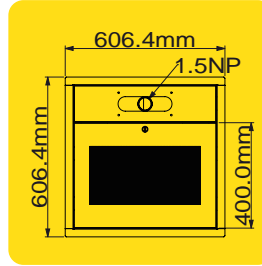
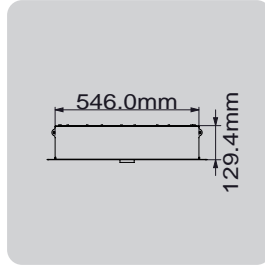


GB-08



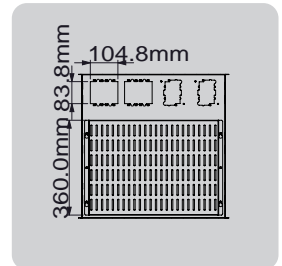
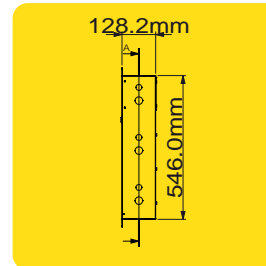
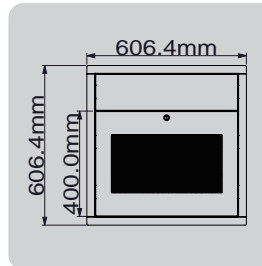
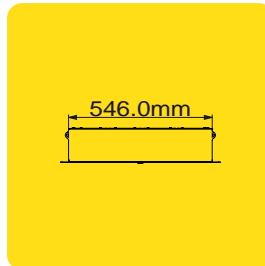


SM-01

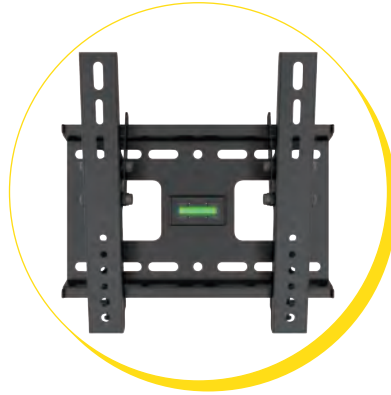


Stylish false Ceiling Equipment Storage Caze

SM-02



Stylish False Ceiling Storage Caze



This high quality adjustable tilting wall mount is perfect for customers who want a basic tilting wall mount with support for most 32 - 42 inch displays (with mounting patterns up to VESA 200x200) and the added locking feature.

UT200